

Pablo®

BELMONT

120/240 ASSEMBLY & INSTALLATION INSTRUCTIONS

INFO@PABLODESIGNS.COM
888 MARIN STREET
SAN FRANCISCO, CA
94124

PABLODESIGNS.COM
PABLODESIGNS.EU

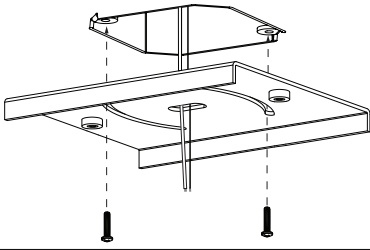


BELMONT

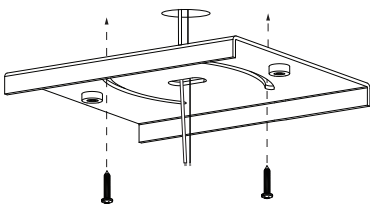
1. (US) ATTACH MOUNTING PLATE TO JUNCTION BOX
(EU) ATTACH MOUNTING PLATE TO CEILING
2. SLIDE CORDS THROUGH LENS COVER AND SNAP IN PLACE. MAKE SURE TEXTURED SIDE FACES OUT.
3. SLIDE CORD THROUGH WOOD CANOPY COVER AND REST

4. LOOSEN SET SCREWS ON STRAIN RELIEFS.
5. SLIDE CORD THROUGH STRAIN RELIEFS.
CUT CORD TO LENGTH LEAVING AN EXTRA 6-8 IN.
(16-20CM)

1

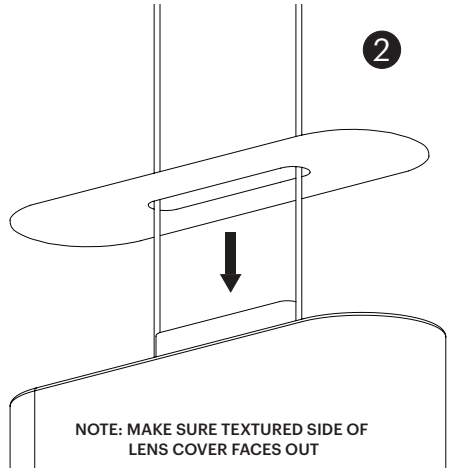


US



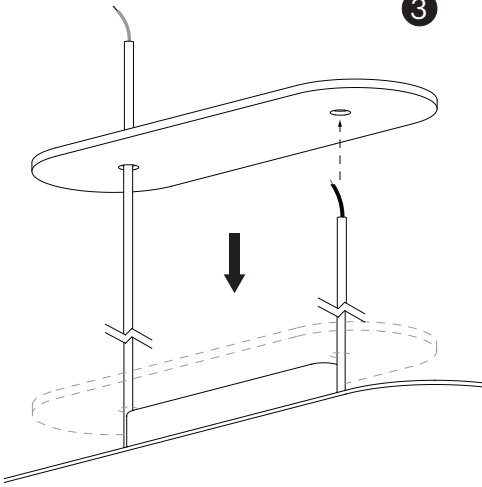
EU

2

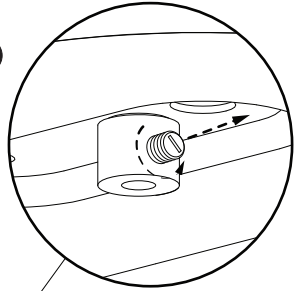


NOTE: MAKE SURE TEXTURED SIDE OF LENS COVER FACES OUT

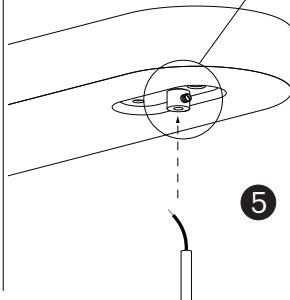
3



4



5



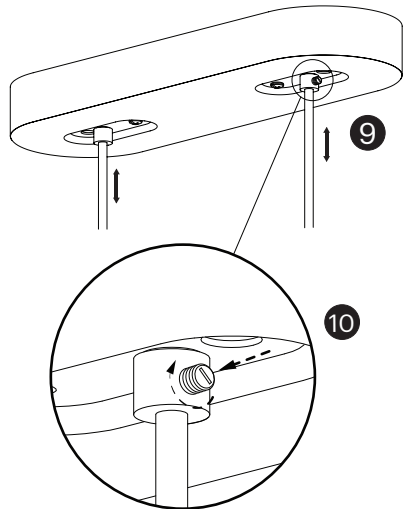
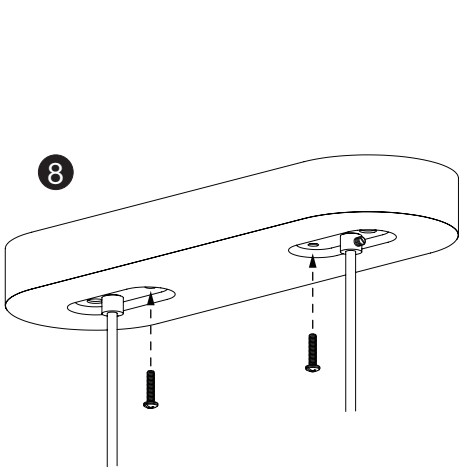
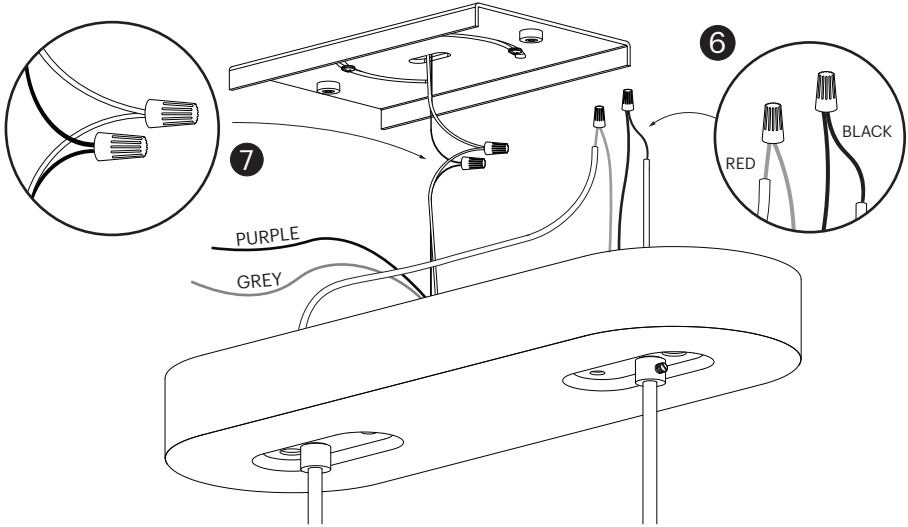
BELMONT

6. WIRE POWER CORD TO TRANSFORMER:
(US: BLUE TO BLACK AND RED TO RED)
AND BACK TO BLACK) (EU: RED TO RED)

**NOTE: PURPLE AND GREY CORDS ARE USED ONLY
WITH 0-10 V DIMMER SWITCH.**

7. WIRE TRANSFORMER TO JUNCTION BOX:
(US: BLACK TO BLACK AND WHITE TO WHITE)

(EU: BLUE TO BLACK AND BROWN TO RED)
8. SCREW CANOPY TO MOUNTING PLATE
9. LEVEL THE LIGHT BY ADJUSTING THE CORDS
(THE USE OF A LEVEL IS RECOMMENDED)
10. TIGHTEN SET SCREW.



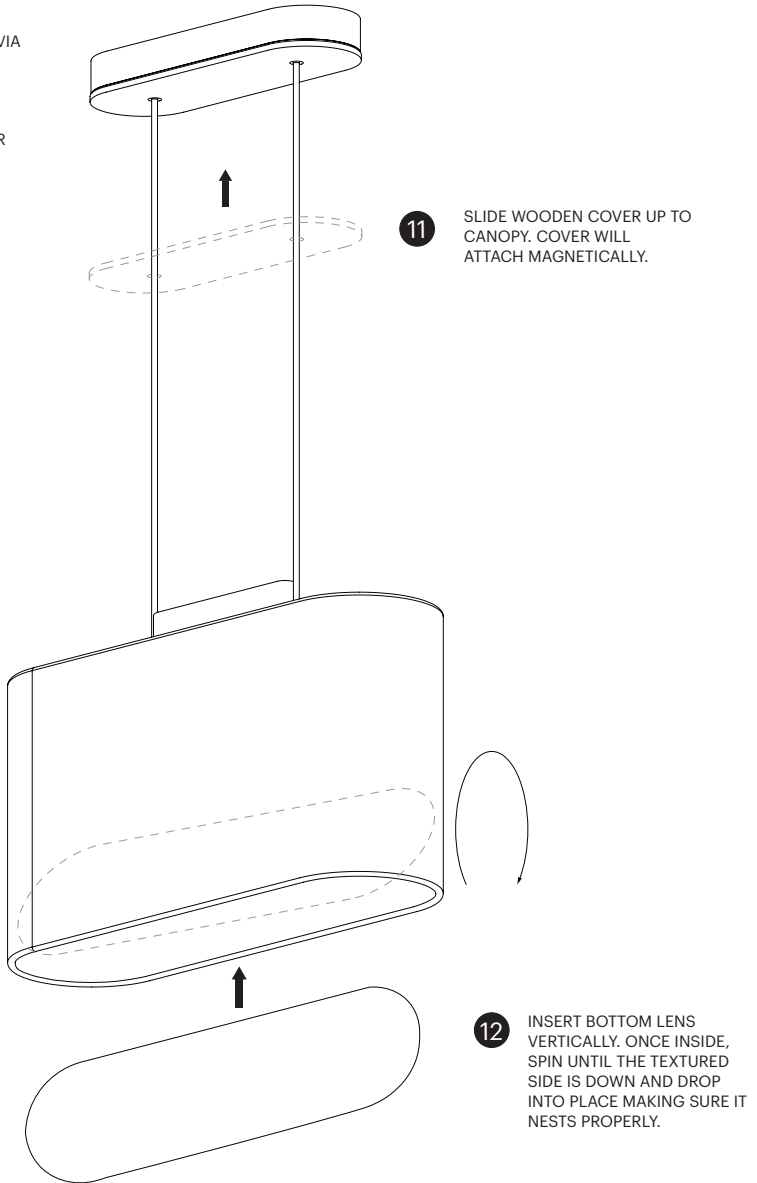
BELMONT

BULB TYPE

LED PANEL
FULL RANGE LIGHT CONTROL VIA
120V DIMMER (US)
OR ELV DIMMER (EU)

BULB REPLACEMENT

CONTACT MANUFACTURER FOR
BULB REPLACEMENT



CARE INSTRUCTIONS

LIGHT – WIPE WITH A CLEAN, DRY CLOTH.

SHADE – TO REMOVE DUST AND SMALL DEBRIS: CLEAN WITH A SOFT HAIR BRUSH OR USE A VACUUM.
TO REMOVE OTHER SUBSTANCES: USE A DAMP CLOTH AND IF NEEDED A MILD DETERGENT.
AVOID AMMONIA-BASED CLEANERS.