

SOLIS PENDANT

DESCRIPTION

Solis is an innovatively simple and elegant suspension lamp that can be used as a pendant or hung from a wall to create a distinctive ambiance. The resulting piece is an engaging blend of light and shadow, casting shimmering rays and radiating patterns onto a space.

FIXTURE TYPE

Pendant

LIGHT SOURCE

Brand: **SATCO**

(1) E26 base 12.5W (75W replacement)

3000K PAR30 LED bulb: 1000 lumens (per lamp)



LIGHT CONTROL

Full range dim (in-line slide dimmer)

Compatible with TRIAC/ELV dimmers

Can be hard-wired

FEATURES

Ships flat-packed

Full-range dim

SPECIFICATIONS

Voltage: 120V or 240V 50/60Hz

Fire retardant polyester fabric

Cable length: 13' (396cm) (Field Cuttable)

CERTIFICATIONS

UL listed components



FINISHES



WHITE



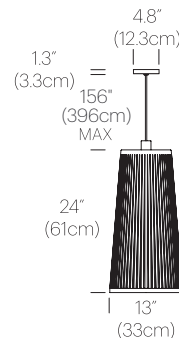
BLACK



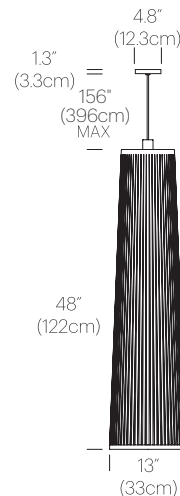
SILVER

DIMENSIONS

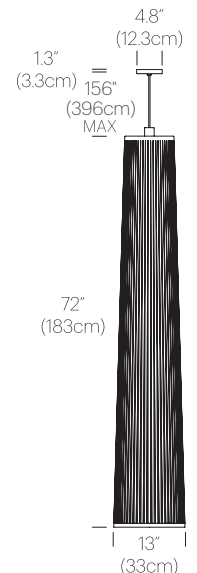
SOLIS 24



SOLIS 48



SOLIS 72



PRODUCT CODES

Solis 24 (White):	SOLI 24 WHT
Solis 24 (Black):	SOLI 24 BLK
Solis 24 (Silver):	SOLI 24 SLV
Solis 48 (White):	SOLI 48 WHT
Solis 48 (Black):	SOLI 48 BLK
Solis 48 (Silver):	SOLI 48 SLV
Solis 72 (White):	SOLI 72 WHT
Solis 72 (Black):	SOLI 72 BLK
Solis 72 (Silver):	SOLI 72 SLV
Solis Wall Plate Cover:	SOLI WALL HW CVR

PACKAGING WEIGHT AND DIMENSIONS

Solis 24/48/72:	8.6LBS	14.5" X 13.5" X 8.5"
	3.9KGS	37cm X 34cm X 22cm

NOTES

Custom requests can be considered on volume orders

SOLIS CHANDELIER

DESCRIPTION

Solis is an innovatively simple and elegant suspension lamp that can be hung in groupings of 3 and 5 fixtures to create a striking composition. The resulting piece is an engaging blend of light and shadow, casting shimmering rays and radiating patterns onto a space.

FIXTURE TYPE

Chandelier

LIGHT SOURCE

Brand: **SATCO**

(1) E26 base 12.5W (75W replacement)

3000K PAR30 LED bulb: 1000 lumens (per lamp)



LIGHT CONTROL

Hard-wired, dimmable

Compatible with TRIAC/ELV dimmers

FEATURES

Ships flat-packed

Full-range dim

SPECIFICATIONS

Voltage: 120V or 240V 50/60Hz

Fire retardant polyester fabric

Cable length: 13' (396cm) (Field Cuttable)

CERTIFICATIONS

UL listed components



FINISHES



WHITE



BLACK



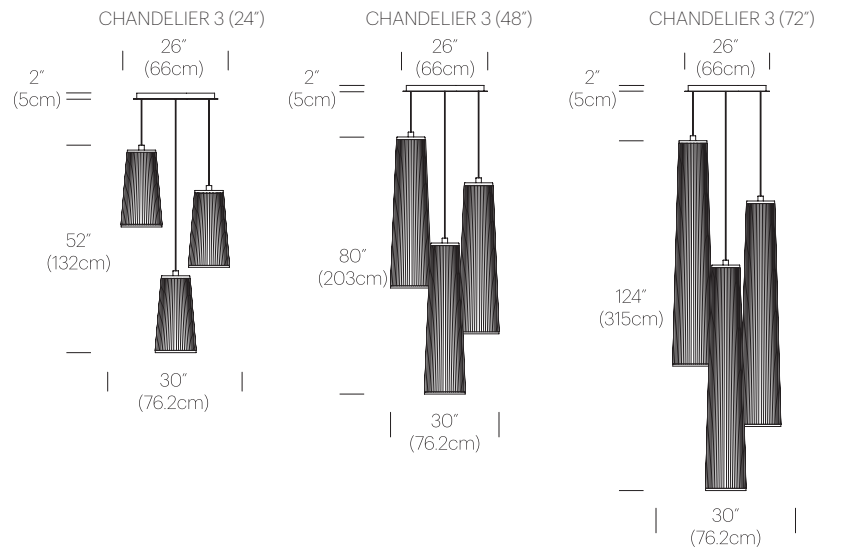
SILVER



CANOPY

WHITE

DIMENSIONS



PRODUCT CODES

Solis 24 (White):	SOLI 24 WHT
Solis 24 (Black):	SOLI 24 BLK
Solis 24 (Silver):	SOLI 24 SLV
Solis 48 (White):	SOLI 48 WHT
Solis 48 (Black):	SOLI 48 BLK
Solis 48 (Silver):	SOLI 48 SLV
Solis 72 (White):	SOLI 72 WHT
Solis 72 (Black):	SOLI 72 BLK
Solis 72 (Silver):	SOLI 72 SLV
26" Chandelier Canopy:	CHND CAN 26

PACKAGING WEIGHT AND DIMENSIONS

Solis 24/48/72:	8.6LBS	14.5" X 13.5" X 8.5"
	3.9KGS	37cm X 34cm X 22cm
Chandelier canopy 26":	30LBS	32" X 32" X 6"
	13.6KGS	81cm X 81cm X 15cm

NOTES

Custom requests can be considered on volume orders

Pablo

