

Pablo®

BOLA
DISC
FAMILY

ASSEMBLY & INSTALLATION INSTRUCTIONS

Pablo®

BOLA DISC

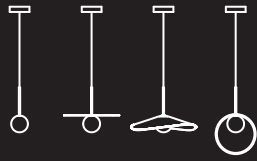
120/240V ASSEMBLY & INSTALLATION INSTRUCTIONS

INFO@PABLODESIGNS.COM
888 MARIN STREET
SAN FRANCISCO, CA
94124

PABLODESIGNS.COM



Bola Pendant Collection Installation Guide



Pablo®

PAGE 1/4

CAUTION - WE RECOMMEND THIS FIXTURE BE INSTALLED BY A LICENSED ELECTRICIAN.

BEFORE ASSEMBLING AND INSTALLING THIS PRODUCT, CAREFULLY READ THE FOLLOWING:

- When installing multiple lamps; these fixtures must be wired in parallel in order to achieve the best possible light quality from each lamp. Wiring in series will result in the progressive loss of performance as the lamps move further away from the building power.
- Switch off power to the junction box before installing the lamp.
- Move light switch into the OFF position.
- When mounting to the ceiling, always use appropriate anchoring hardware.
- This lamp is for indoor use only, excluding bathrooms or any type of humid environment.
- We recommend reading the guide before you begin installation.
- Installation Guides can be downloaded from Pablodesigns.com in the case this document is lost or damaged.
- Do not disassemble, modify or try to repair this fixture! In order to receive technical assistance contact Pablo Designs. Any modification to the fixture will nullify the manufacturer's warranty.

IMPORTANT INFORMATION ABOUT MATERIALS/FINISHES:

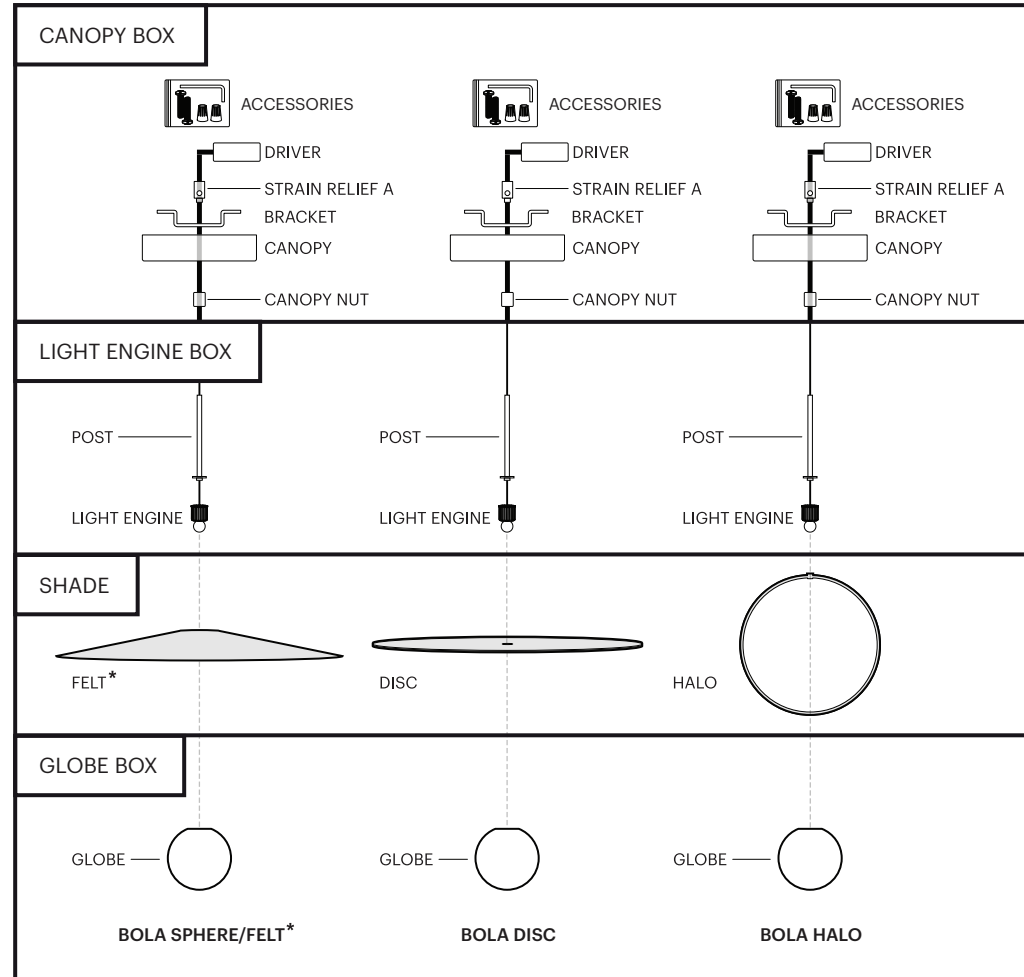
- Glass is a material which is fragile and can be easily damaged when mishandled.
- One of the main characteristics of Opal glass is that it is hand blown. Small imperfections like; air bubbles, thickness variations, or scratches can occur during the production process. These imperfections underline the craftsmanship, the exclusivity and authenticity of hand blown Opal glass.
- The anodizing and PVD process can result in slight variations in color intensity, we do our best to batch like parts, but slight variations may still remain among part sets.

CLEANING INSTRUCTIONS:

- Use only a soft cloth to clean this fixture, dampened with water or mild cleanser if required, DO NOT use alcohol, solvents, or other abraive cleaners, as this could damage the lamp finish.

Contents

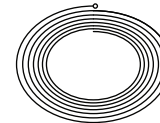
BOLA PENDANTS SHIP IN MULTIPLE BOXES IN ORDER TO ENSURE THE SAFETY OF ALL COMPONENTS.



TECHNICAL SPECIFICATIONS

| | POWER - LUMINOSITY - COLOR TEMP | DRIVER INPUT | DRIVER OUTPUT | DRIVER LOAD |
|--|---------------------------------|---------------------------|---------------|----------------------------|
| BOLA 4.5 UNV. DTW (DISC 12,18, HALO 12) | 6W - 290 lm - 2700-1800K DTW | 120-277VAC, 0.06A 50/60Hz | 300mA CC | 10-20V, 40VDC LED, 6W MAX |
| BOLA 6 UNV. DTW (DISC 22, FELT 24, HALO 18) | 12W - 800 lm - 2700-1800K DTW | 120-277VAC, 0.12A 50/60Hz | 350mA CC | 15-34V, 42VDC LED, 12W MAX |
| BOLA 8,10,12,16 UNV. DTW (DISC 32, FELT 32,42,52, HALO 22) | 20W - 1710 lm - 2700-1800K DTW | 120-277VAC, 0.22A 50/60Hz | 600mA CC | 20-36V, LED, 22W MAX |
| BOLA 4.5 US. CCT (DISC 12,18, HALO 12) | 6W - 290 lm - 3000K CCT | 120-277VAC, 0.08A 50/60Hz | 200mA CC | 20-40V, 40VDC LED |
| BOLA 6 US. CCT (DISC 22, FELT 24, HALO 18) | 12W - 800 lm - 3000K CCT | 120-277VAC, 0.15A 50/60Hz | 350mA CC | 20-42V, 42VDC LED |
| BOLA 8,10,12,16 US. CCT (DISC 32, FELT 32,42,52, HALO 22) | 20W - 1710 lm - 3000K CCT | 120-277VAC, 0.2A 50/60Hz | 500mA CC | 20-42V, LED, |

STEEL CABLE



STRAIN RELIEF B



FOR BOLA DISC 32 AND BOLA FELT 32, 42, 52; A STEEL SUPPORT CABLE KIT WILL BE INCLUDED.

IF THERE ARE MISSING OR DAMAGED PARTS, PLEASE CONTACT US AS SOON AS POSSIBLE TO FILE A REPORT. CLEAR PHOTOS AND DESCRIPTIONS WILL ENABLE OUR CUSTOMER SERVICE TEAM TO QUICKLY AND EFFECTIVELY ADDRESS YOUR CLAIM.

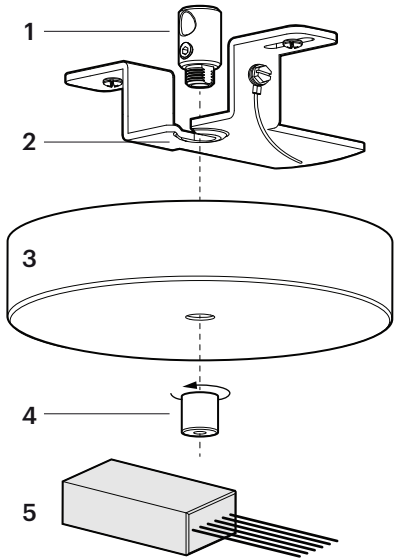
(415) 865-5000
888 MARIN STREET
SAN FRANCISCO, CA 94124
INFO@PABLODESIGNS.COM
[INFO@PABLODESIGNS.EU]

Bola Pendant Collection Installation Guide

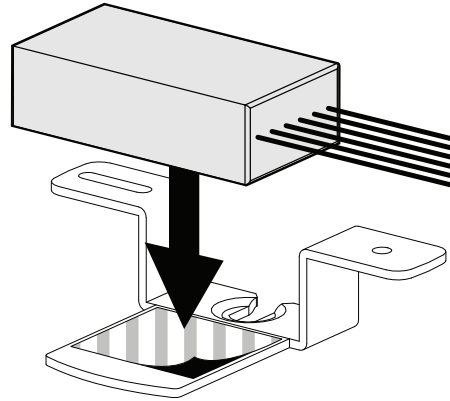
Pablo®

PAGE 2/4

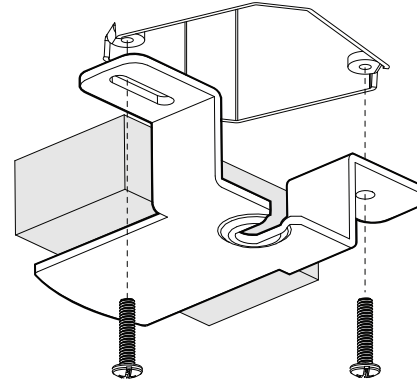
1 Remove the contents of the canopy box and separate key items.



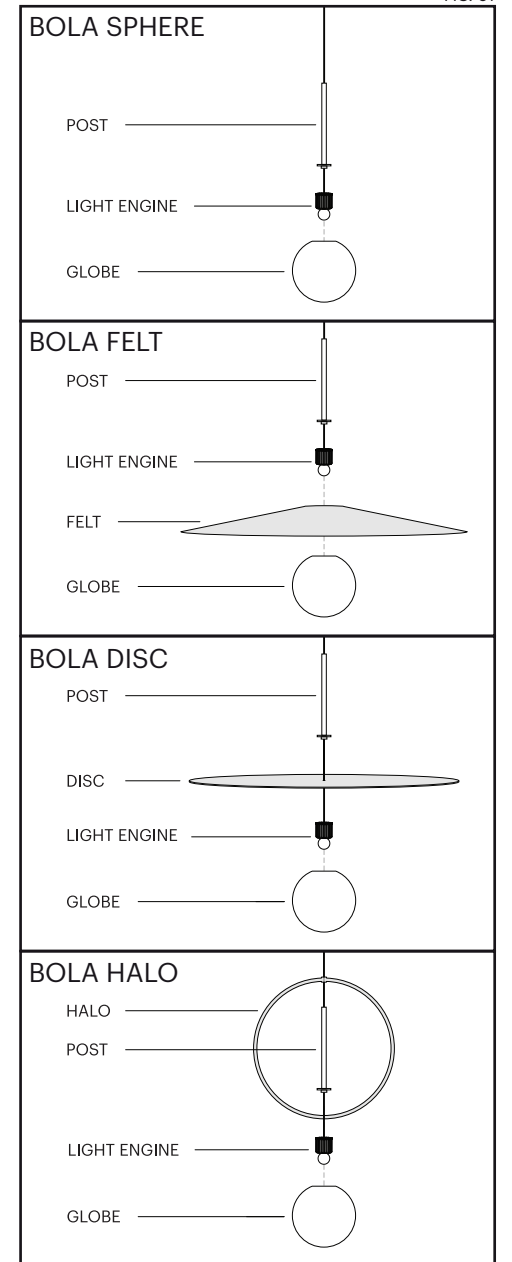
2 Peel protective later from VHB tape (included) and secure DRIVER to MOUNT BRACKET.



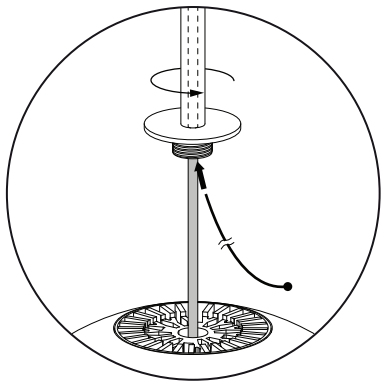
3 Secure MOUNT BRACKET to junction box using appropriate anchoring hardware (included).



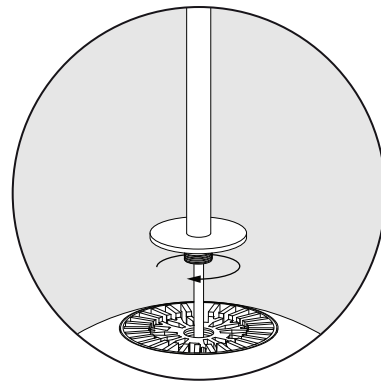
4 Weave power cord from LIGHT ENGINE through all necessary parts based on lamp model.



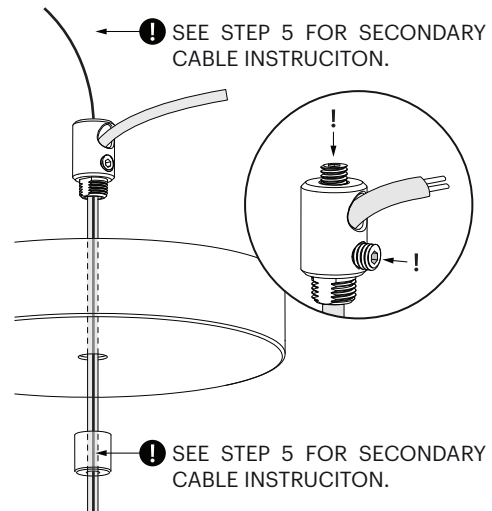
5 THIS STEP IS ONLY FOR BOLA DISC 32 OR BOLA FELT 32,42,52. FOR OTHER LAMP VARIANTS, MOVE ON TO STEP 6.



6 Thread POST onto LIGHT ENGINE. (NOTE! For Bola Disc; DISC will be trapped in between POST and LIGHT ENGINE. See FIG. 01).



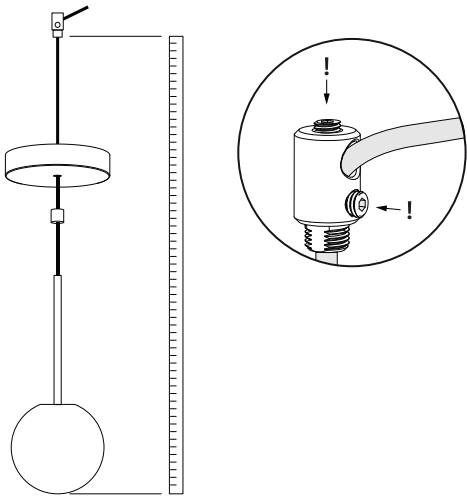
7 Unthread both set screws using included hex tool. Weave cable(s) through CANOPY NUT, CANOPY, AND STRAIN RELIEF.



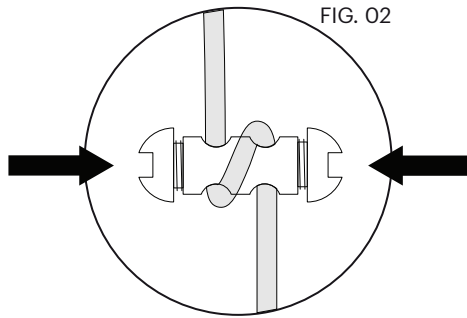
Feed Steel cable (included) through the POST until the crimped ball end bottoms out.

Bola Pendant Collection Installation Guide

- 8** Set desired lamp height and secure STRAIN RELIEF A (NOTE: thread both set screws using included hex tool).

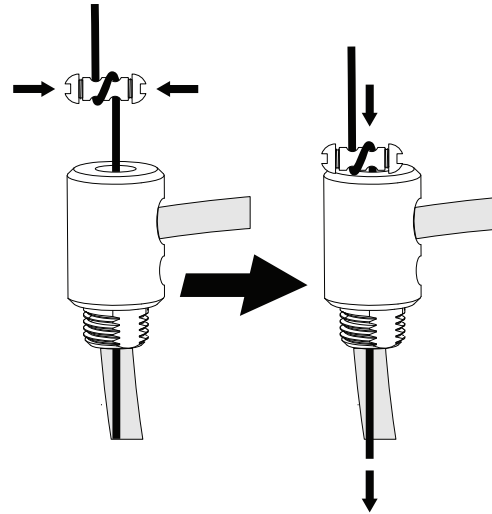


If employing SECONDARY CABLE, add included STRAIN RELIEF B now. Feed cable through both holes and tighten screws as demonstrated in Figure 02.

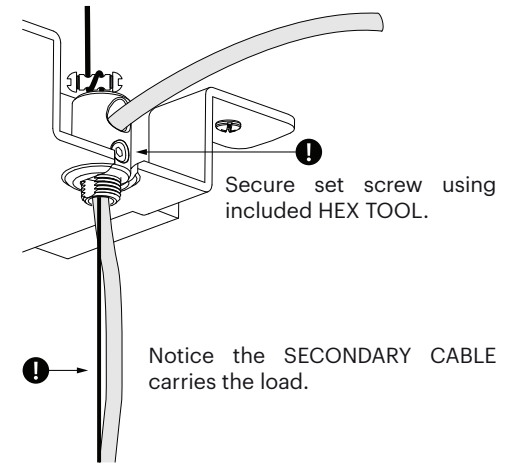


The location of STRAIN RELIEF B will determine the lamp's hang height.

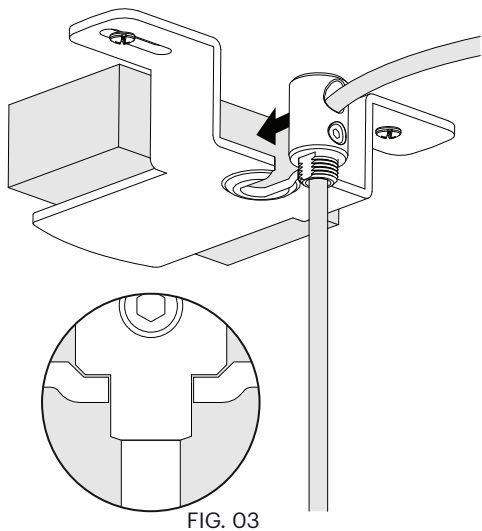
Pull SECONDARY CABLE down through STRAIN RELIEF A until it stops.



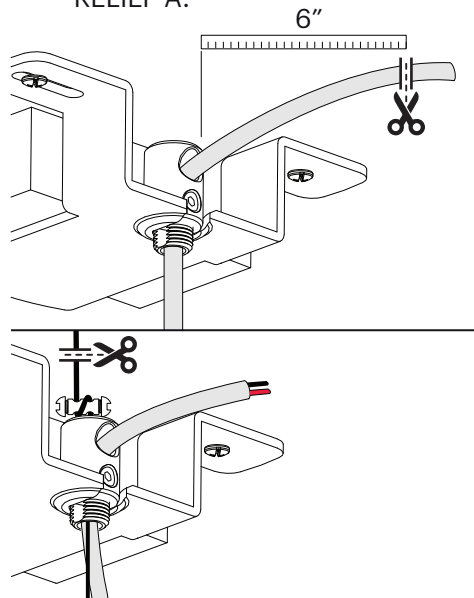
Place assembly onto the BRACKET and adjust the FABRIC POWER CABLE until desired appearance is reached.



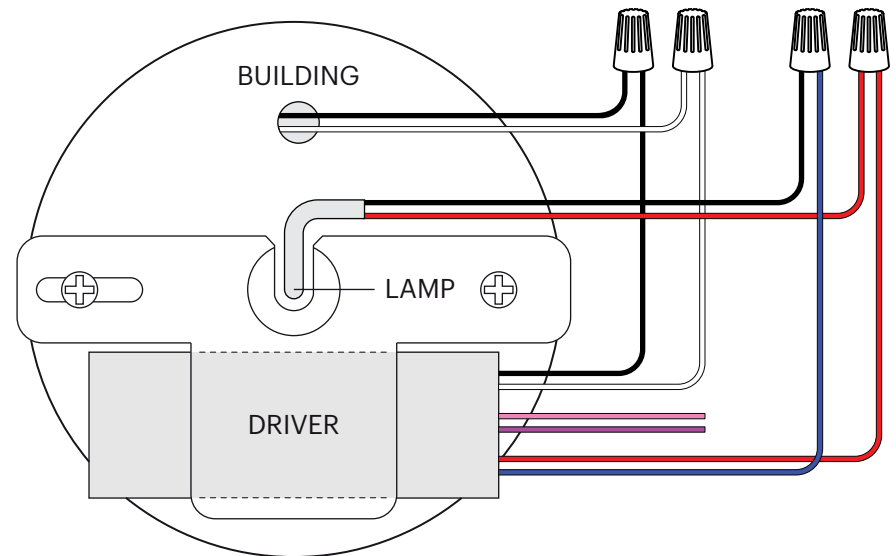
- 9** Set STRAIN RELIEF A onto MOUNT BRACKET ensuring parts nest properly (see Figure 03).



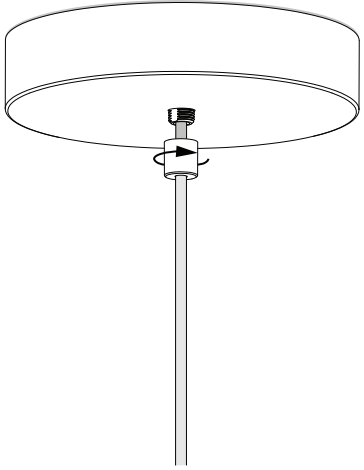
- 10** Trim excess cable(s). For the power cable, cut 6" from STRAIN RELIEF A.



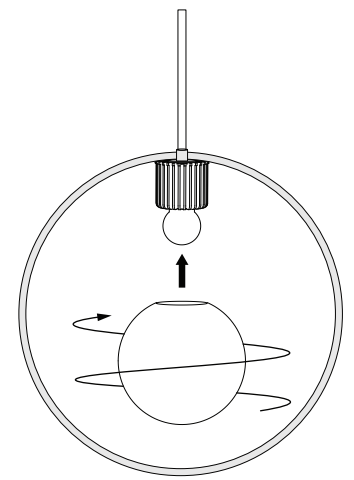
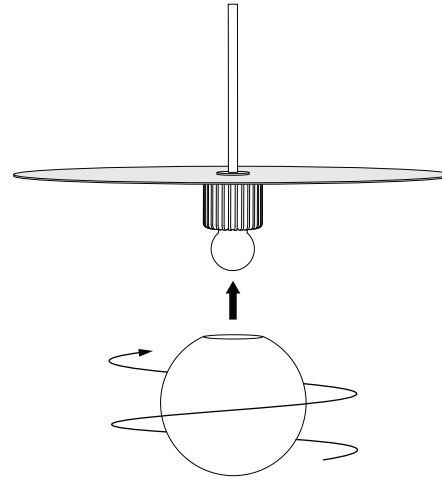
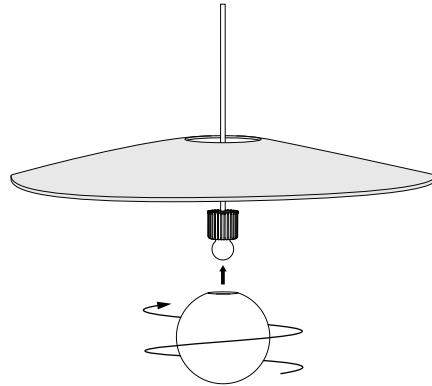
- 11** Wire DRIVER to BUILDING (black to black/white to white). Wire DRIVER to LAMP (black to blue/red to red). Pink(-) and purple(+) wires are intended for use in 0-10V dimming installations.



12 Once wiring is complete and lamp has been tested, secure CANOPY COVER with CANOPY NUT.



13 Carefully thread GLOBE DIFFUSER onto the LIGHT ENGINE. (Note: the FELT SHADE must be placed onto lamp before adding the GLOBE DIFFUSER).



Pablo®

MULTI-LIGHT CANOPY

9" and 12"

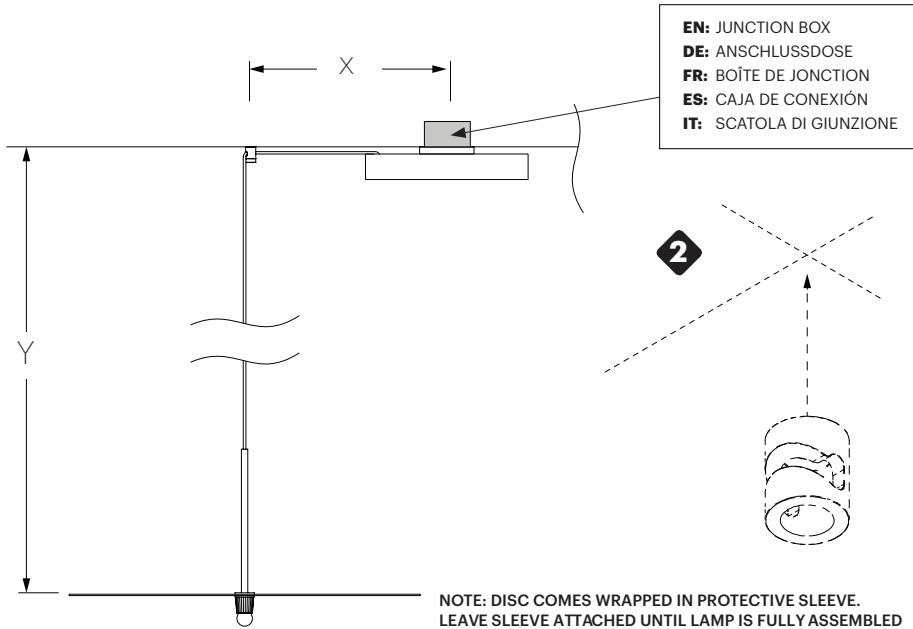
BOLA DISC/FELT PENDANT & CIELO XL PENDANT

ASSEMBLY & INSTALLATION INSTRUCTIONS



Pablo® MULTI-LIGHT CANOPY

- 1** LOCATE BUILDING POWER FEED/JUNCTION BOX
DETERMINE AND MARK SWAG LOCATIONS REFERENCING THE DIAGRAM AND PROVIDED CHART.
PROVIDED LAMP WIRES ARE 10', LAMP HANG HEIGHT REDUCES IN RELATION TO SWAG DISTANCE FROM CANOPY.

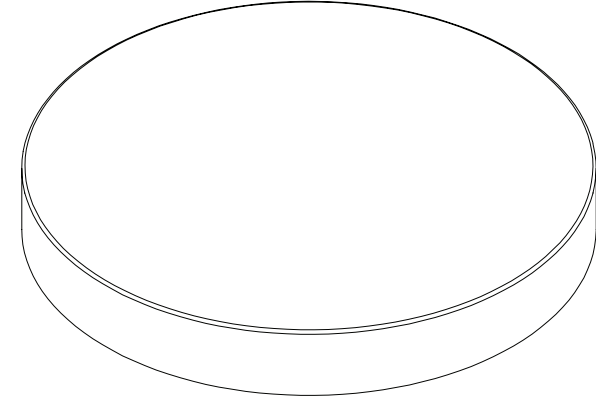


PROVIDED LAMP WIRES ARE 8', LAMP HANG HEIGHT REDUCES IN RELATION TO SWAG DISTANCE FROM CANOPY. IF X=5', Y CAN BE A MAXIMUM OF 3'.

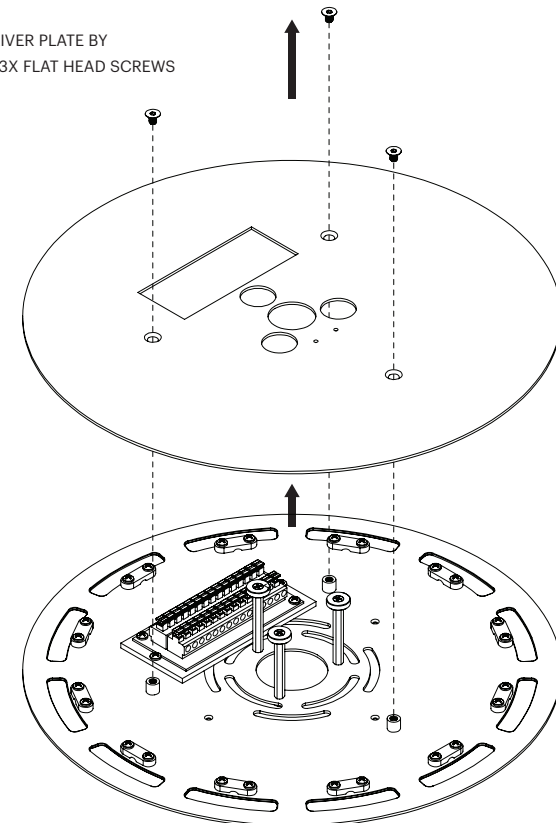
| SWAG SPACING CENTER TO CENTER | BOLA DISC | | | |
|----------------------------------|---------------|---------------|--------------|--------------|
| | BOLA DISC 12 | BOLA DISC 18 | BOLA DISC 22 | BOLA DISC 32 |
| BOLA DISC 12 | 5" 12.7 CM | 8" 20.3 CM | 9" 23 CM | 13" 33 CM |
| BOLA DISC 18 | 8" 20.3 CM | 8" 20.3 CM | 9" 23 CM | 13" 33 CM |
| BOLA DISC 22 | 9" 23 CM | 9" 23 CM | 9" 23 CM | 13" 33 CM |
| BOLA DISC 32 | 13" 33 CM | 13" 33 CM | 13" 33 CM | 13" 33 CM |

Pablo® MULTI-LIGHT CANOPY

- 3** REMOVE CANOPY COVER, SET ASIDE

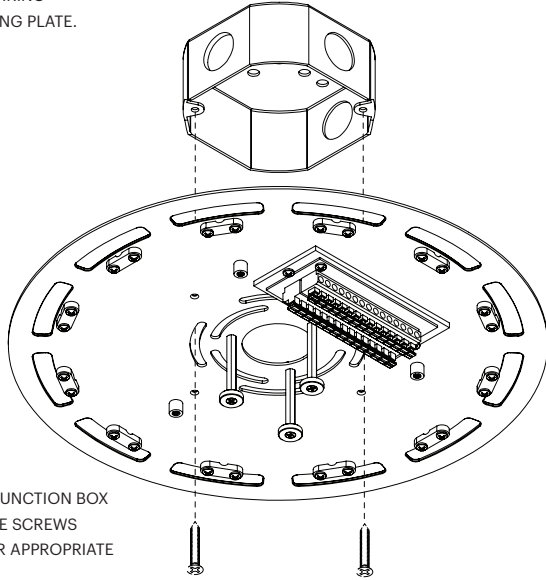


- 4** REMOVE DRIVER PLATE BY
REMOVING 3X FLAT HEAD SCREWS



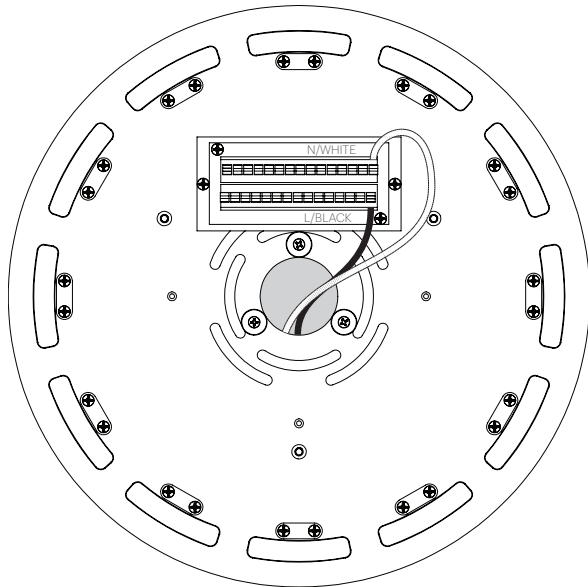
Pablo® MULTI-LIGHT CANOPY

5 ROUTE BUILDING WIRING THROUGH MOUNTING PLATE.



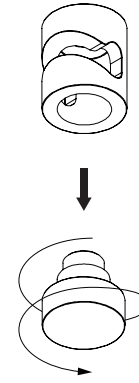
6 ATTACH PLATE TO JUNCTION BOX WITH 8-32 MACHINE SCREWS (NOT PROVIDED) OR APPROPRIATE ANCHORS.

7 WIRE BUILDING WIRING TO TERMINAL BLOCK.
US: BLACK TO BLACK AND WHITE TO WHITE **EU:** BLUE TO WHITE BROWN TO BLACK.

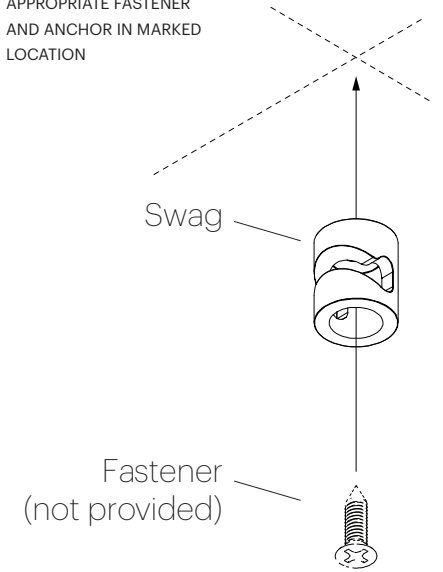


Pablo® MULTI-LIGHT CANOPY

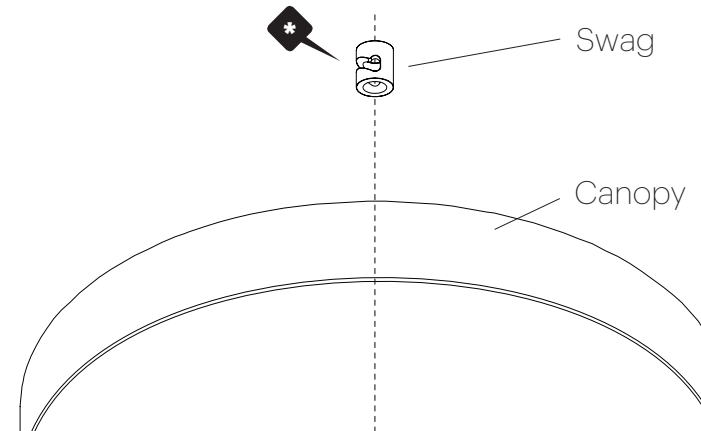
8 REMOVE THREADED SWAG CAP



9 MOUNT SWAG USING APPROPRIATE FASTENER AND ANCHOR IN MARKED LOCATION



NOTE: Cable slot should face canopy center point.



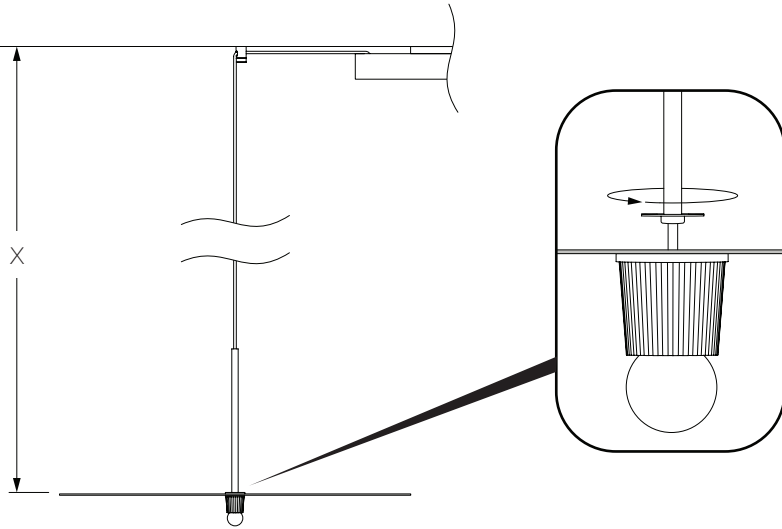
Pablo® MULTI-LIGHT CANOPY



BOLA



* BOLA: ASSEMBLE DISC AND LIGHT ENGINE



USE PROVIDED GLOVES WHEN HANDLING LAMP
TO AVOID FINGER MARKS.



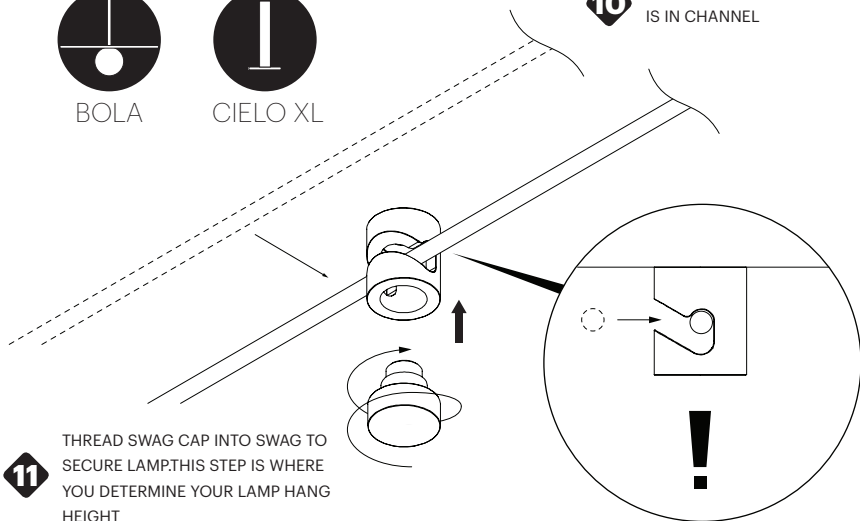
BOLA



CIELO XL



10 PLACE WIRE IN SWAG. MAKE SURE WIRE
IS IN CHANNEL

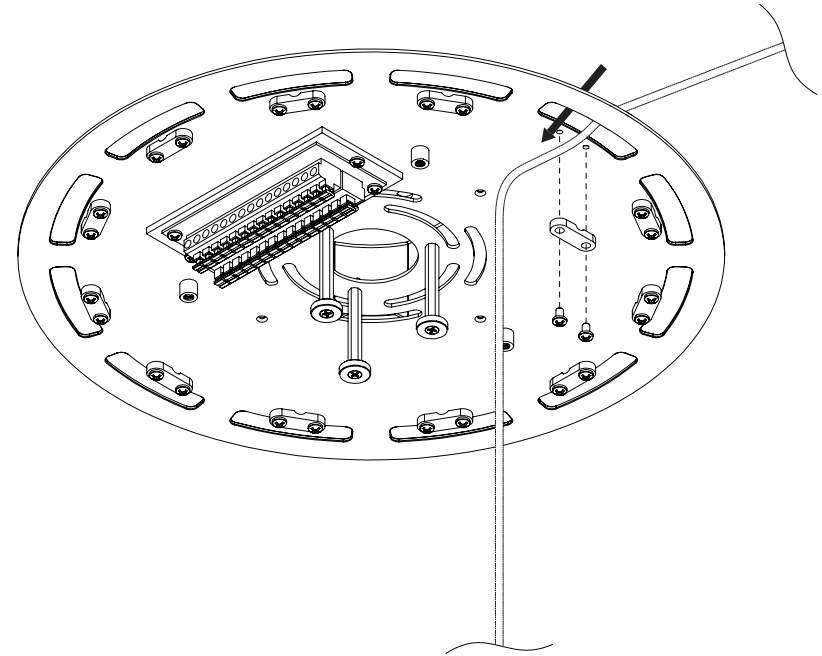


11 THREAD SWAG CAP INTO SWAG TO
SECURE LAMP. THIS STEP IS WHERE
YOU DETERMINE YOUR LAMP HANG
HEIGHT

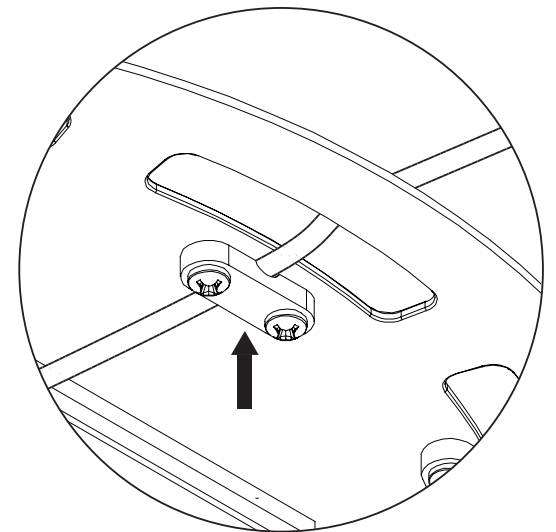
Pablo® MULTI-LIGHT CANOPY



12 THREAD WIRE THROUGH MOUNT PLATE



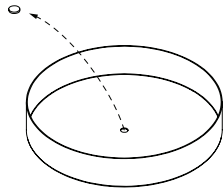
13 PULL WIRE TAUGHT AND STRAIN RELIEVE



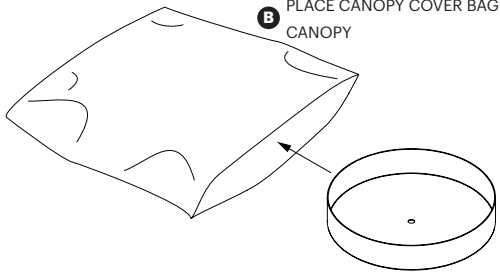
Pablo® MULTI-LIGHT CANOPY

13

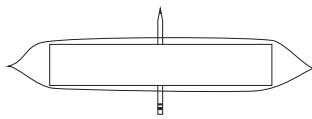
A REMOVE PLUG



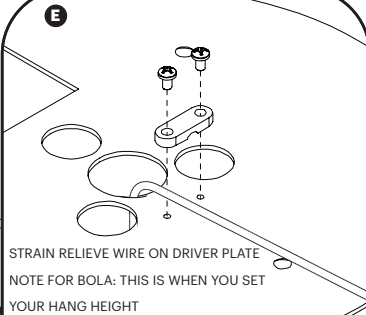
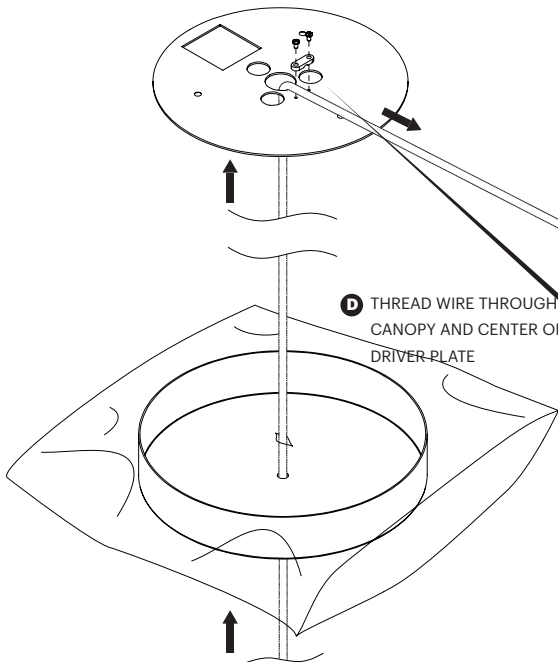
B PLACE CANOPY COVER BAG OVER CANOPY



C USING A PENCIL, PUNCTURE SMALL HOLE FOR WIRE TO PASS THROUGH

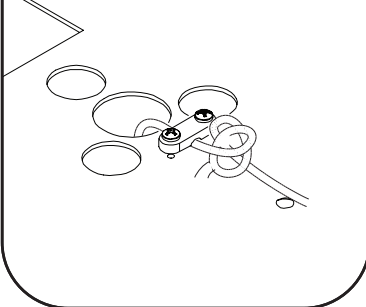


D THREAD WIRE THROUGH CANOPY AND CENTER OF DRIVER-PLATE



E STRAIN RELIEVE WIRE ON DRIVER PLATE
NOTE FOR BOLA: THIS IS WHEN YOU SET YOUR HANG HEIGHT

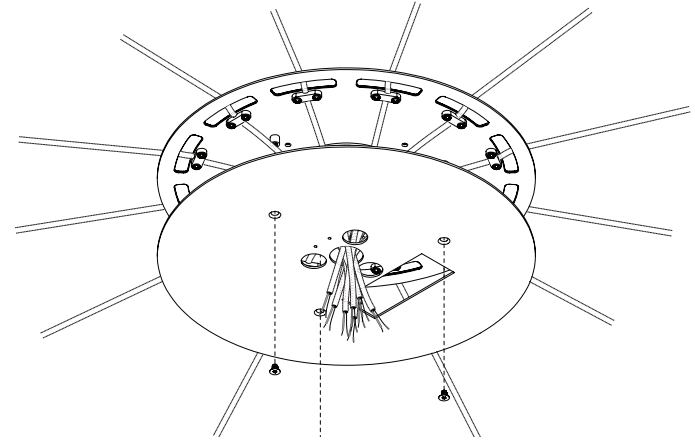
F TIE KNOT JUST PAST STRAIN RELIEF



Pablo® MULTI-LIGHT CANOPY

14

ATTACH DRIVER PLATE TO MOUNT PLATE WITH PROVIDED FLAT HEAD SCREWS
THREAD WIRES THROUGH CENTER OF DRIVER PLATE

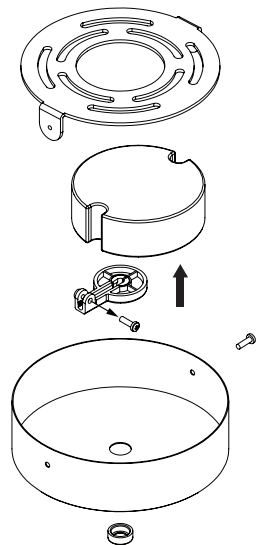
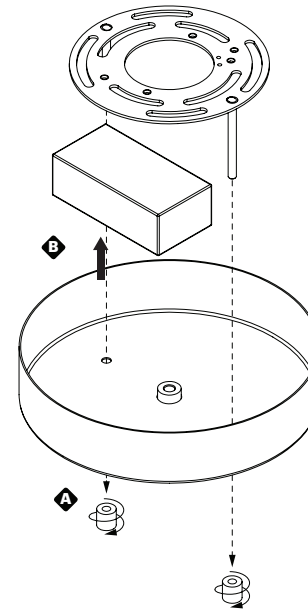


BOLA

15

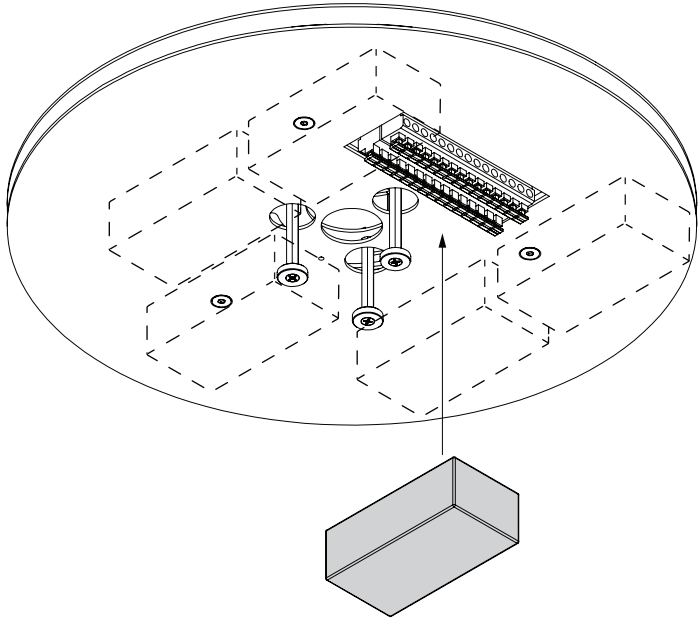


CIELO XL

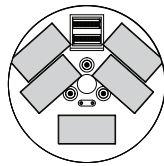
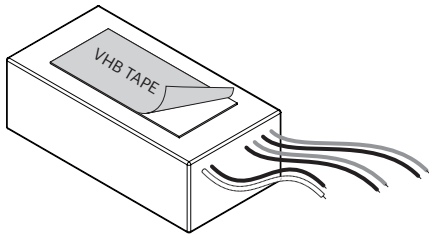


REMOVE INDIVIDUAL LAMP DRIVERS FROM INDIVIDUAL LAMP CANOPIES

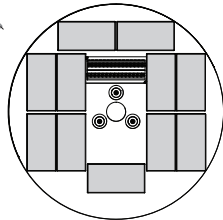
MULTI-LIGHT CANOPY



16 PEEL LINER OFF OF VHB TAPE AND ATTACH DRIVERS TO DRIVER PLATE



9" CANOPY
MAXIMUM
CAPACITY

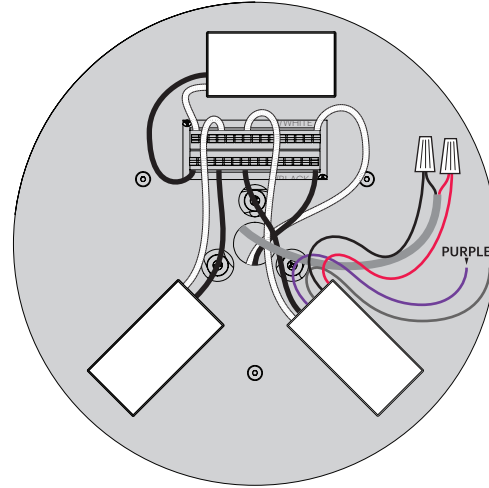
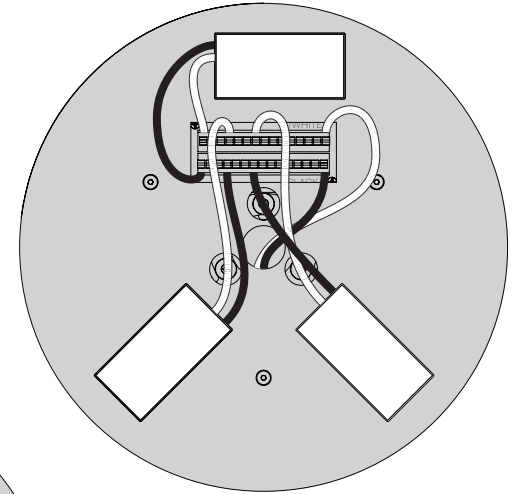


12" CANOPY
MAXIMUM
CAPACITY

MULTI-LIGHT CANOPY

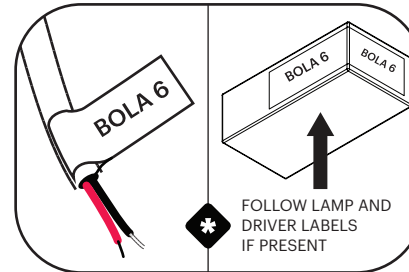
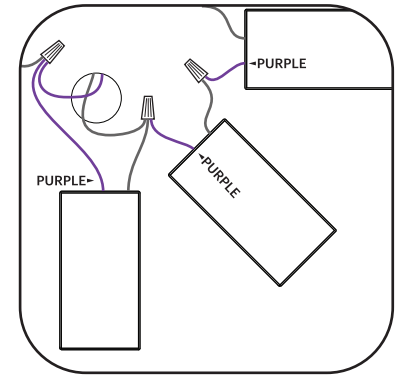
17

CONNECT DRIVERS TO TERMINAL BLOCK.
US: BLACK TO BLACK AND WHITE TO WHITE
EU: BROWN TO BROWN AND BLUE TO BLUE



18

ONE AT A TIME, WIRE LAMPS TO MATCHING DRIVERS. CUT EXCESS WIRES IF NECESSARY



***** FOLLOW LAMP AND DRIVER LABELS IF PRESENT

!

IF USING 0 - 10V DIMMING WIRE DIMMER IN PARALLEL

Pablo®

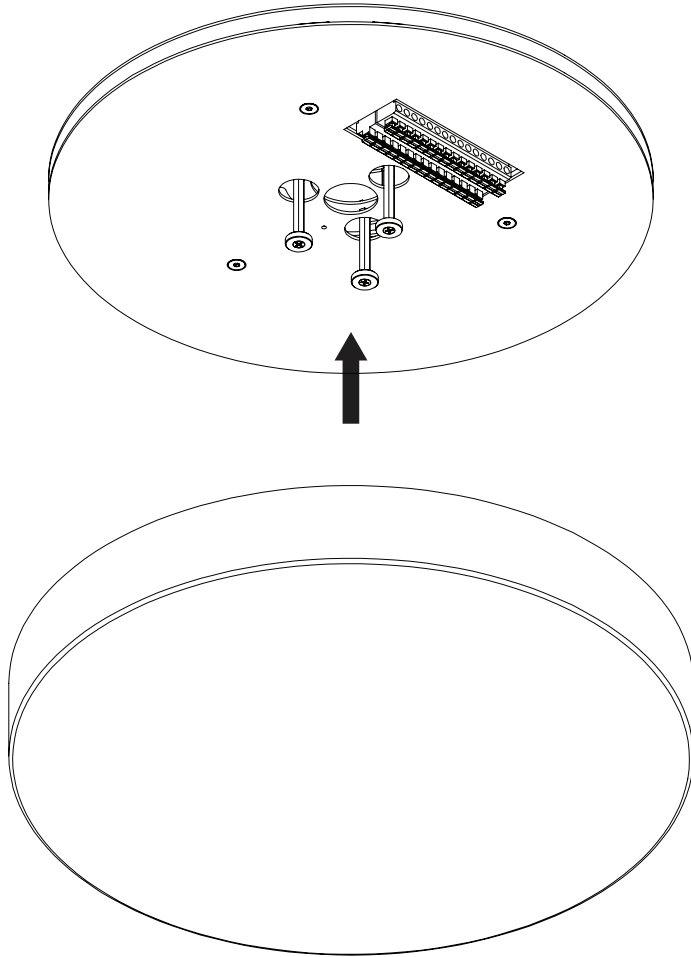
MULTI-LIGHT CANOPY

19

ATTACH CANOPY COVER

CARE INSTRUCTIONS

WIPE CLEAN WITH A SOFT DAMP CLOTH
AVOID AMMONIA BASED CLEANER.



USE PROVIDED GLOVES WHEN HANDLING LAMP
TO AVOID FINGER MARKS.

Pablo®

MULTI-LIGHT CANOPY



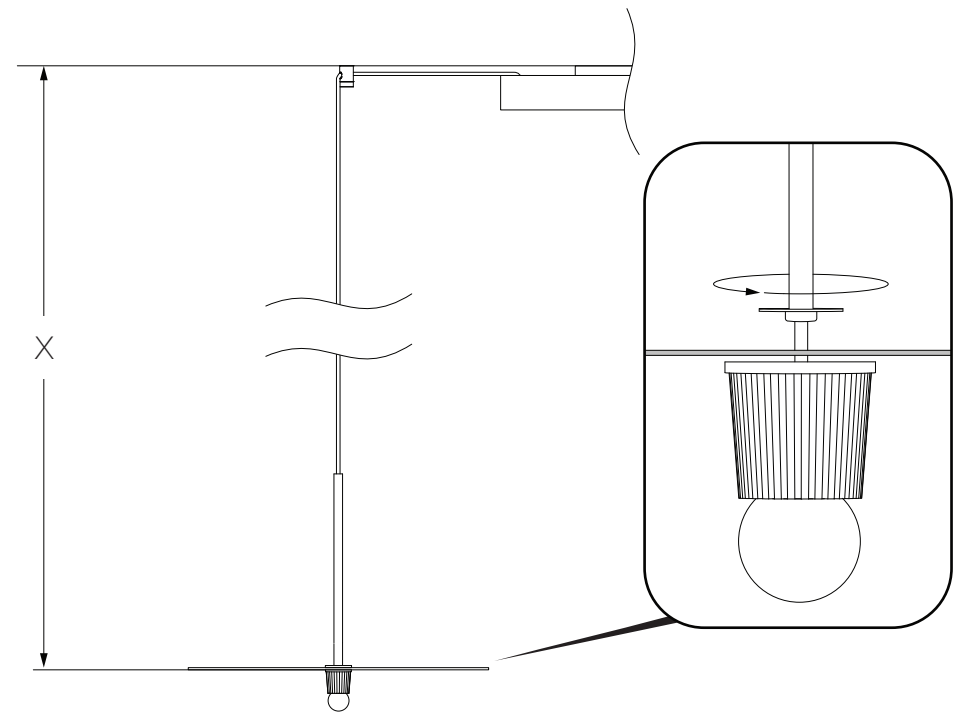
USE PROVIDED GLOVES WHEN HANDLING LAMP
TO AVOID FINGER MARKS.

20

THREAD GLOBE ONTO HEAT SINK.

CARE INSTRUCTIONS

WIPE CLEAN WITH A SOFT DAMP CLOTH
AVOID AMMONIA BASED CLEANER.



Pablo®

BOLA
DISC
FLUSH

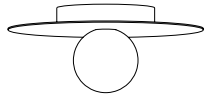
ASSEMBLY & INSTALLATION INSTRUCTIONS



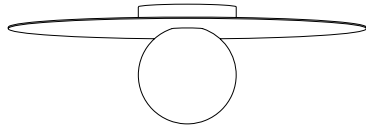
BOLA DISC FLUSH

BOLA DISC FLUSH MODELS

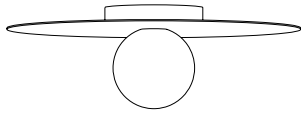
I. BOLA DISC FLUSH (CEILING MOUNTED)



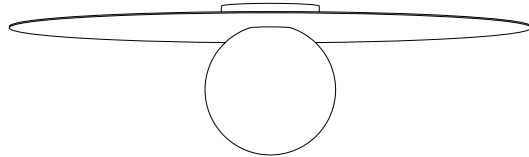
BOLA DISC FLUSH 12
4" GLOBE



BOLA DISC FLUSH 22
6" GLOBE

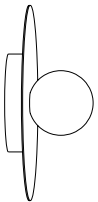


BOLA DISC FLUSH 18
5" GLOBE

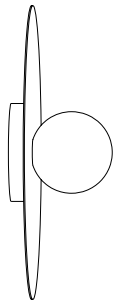


BOLA DISC FLUSH 32
8" GLOBE

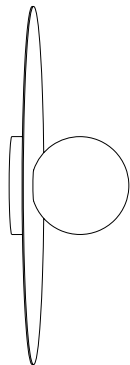
II. BOLA DISC FLUSH (WALL MOUNTED)



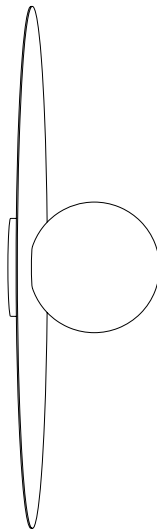
BOLA DISC FLUSH 12
4" GLOBE



BOLA DISC FLUSH 18
5" GLOBE



BOLA DISC FLUSH 22
6" GLOBE



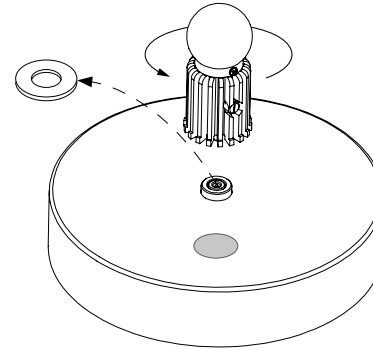
BOLA DISC FLUSH 32
8" GLOBE

BOLA DISC FLUSH

IMPORTANT: WE RECOMMEND FIXTURE BE INSTALLED BY AN ELECTRICIAN

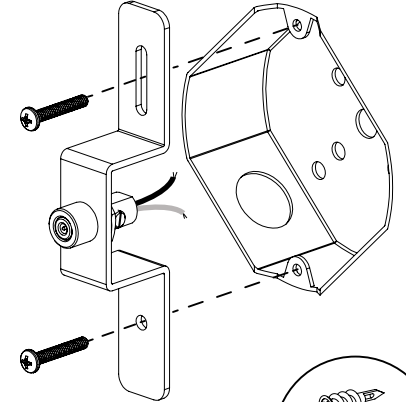
WARNING: FIXTURE MUST BE WIRED CORRECTLY OR RISK DAMAGE TO COMPONENTS

NOTE: IT IS RECOMMENDED THAT BOLA DISC FLUSH IS INSTALLED BY TWO PEOPLE.

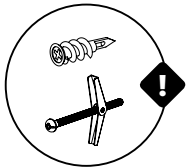


1 UNTHREAD LIGHT ENGINE FROM CANOPY, AND DISCARD FOAM WASHER.

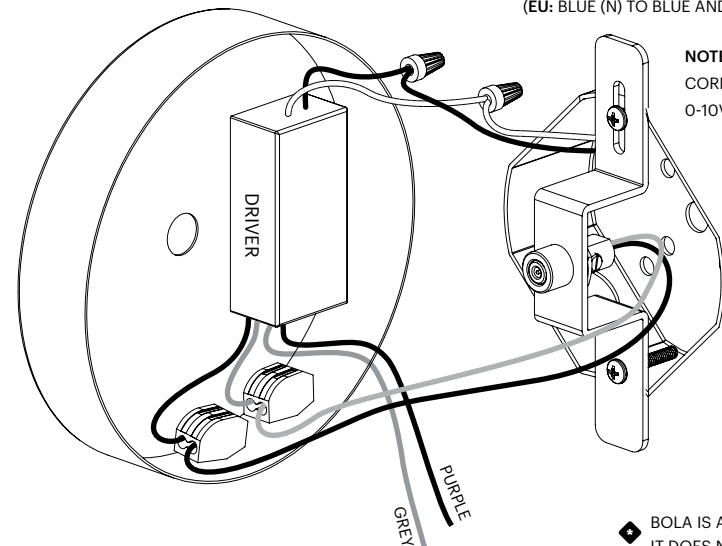
2 ATTACH MOUNTING PLATE TO JUNCTION BOX OR WALL.



WALL ANCHORS OR TOGGLE BOLTS REQUIRED WHEN JUNCTION BOXES ARE NOT USED. (NOT PROVIDED)



3 WIRE DRIVER TO BUILDING.
(US: BLACK TO BLACK AND WHITE TO WHITE)
(EU: BLUE (N) TO BLUE AND BROWN (L) TO BROWN)

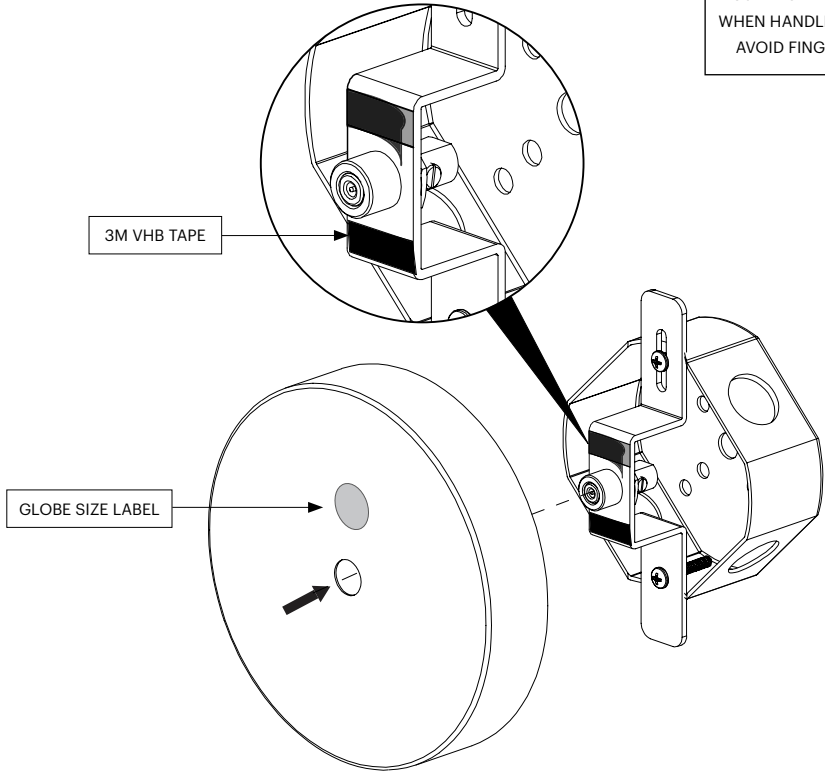
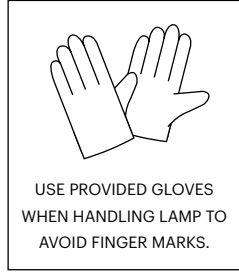


NOTE: PURPLE AND GREY CORDS ARE USED ONLY WITH 0-10V DIMMER SWITCH.

◆ BOLA IS A CLASS II FIXTURE. IT DOES NOT REQUIRE GROUNDING.

BOLA DISC FLUSH

4 PEEL BACKING FROM 3M VHB TAPE ON MOUNTING BRACKET.

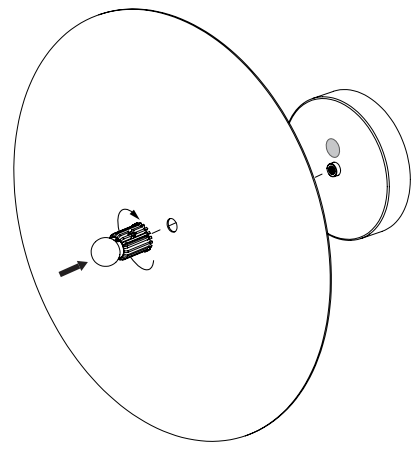


5 SECURE CANOPY COVER TO MOUNTING BRACKET.

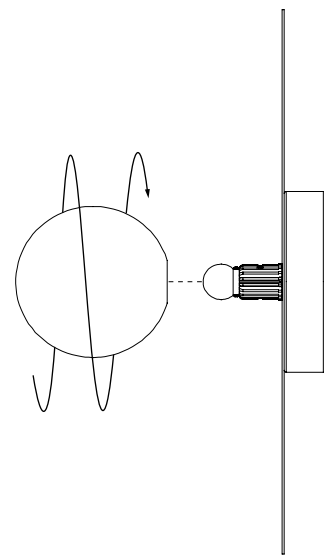
!
IF INSTALLING MULTIPLE BOLA DISC SIZES, MAKE SURE TO KEEP CORRESPONDING LIGHT ENGINE & CANOPY TOGETHER.
DO NOT MIX DIFFERENT LIGHT ENGINES & CANOPIES WITH EACH OTHER.

BOLA DISC FLUSH

6 INSTALL DISC OVER THREADED DC CONNECTOR, THEN THREAD LED LIGHT ENGINE ONTO CANOPY FIRMLY TO SECURE DISC.



7 CAREFULLY THREAD GLASS GLOBE ONTO LIGHT ENGINE WITHOUT OVER-TIGHTENING.



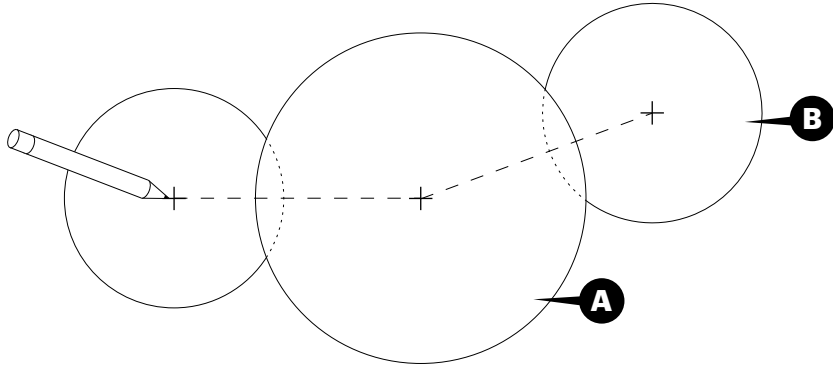
BULB TYPE
LED
FULL RANGE LIGHT CONTROL VIA 120V DIMMER (US)
OR ELV DIMMER (EU)

BULB REPLACEMENT
CONTACT MANUFACTURER FOR BULB REPLACEMENT

CARE INSTRUCTIONS
WIPE CLEAN WITH A SOFT DAMP CLOTH. AVOID AMMONIA-BASED CLEANERS.

BOLA DISC FLUSH

BOLA DISC FLUSH OVERLAPPING CONFIGURATIONS



- MARK THE CENTER OF ALL DISCS ON THE WALL. REFERENCE CHART FOR RECOMMENDED OVERLAP SPACING.
NOTE: MEASURE FROM CENTER TO CENTER.
 - WE RECOMMEND THE LARGER DISCS ALWAYS BE IN FRONT USING A STANDOFF.
- A** FRONT DISC **B** BACK DISC



ADD-ON STANDOFF REQUIRED FOR EVERY OTHER OVERLAPPING DISC.

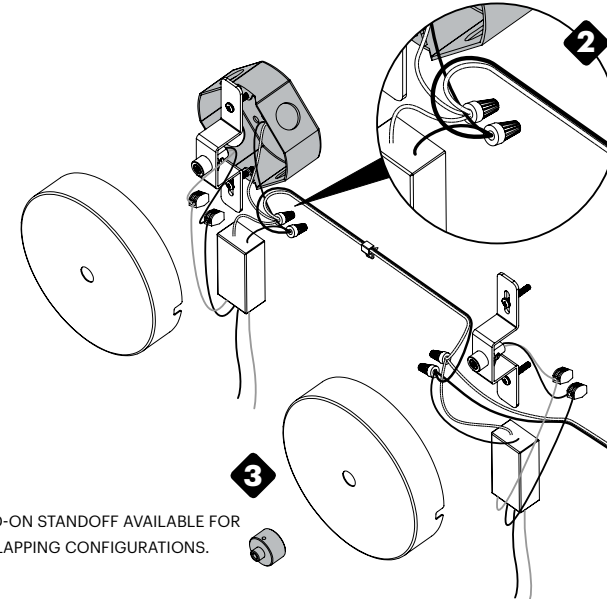
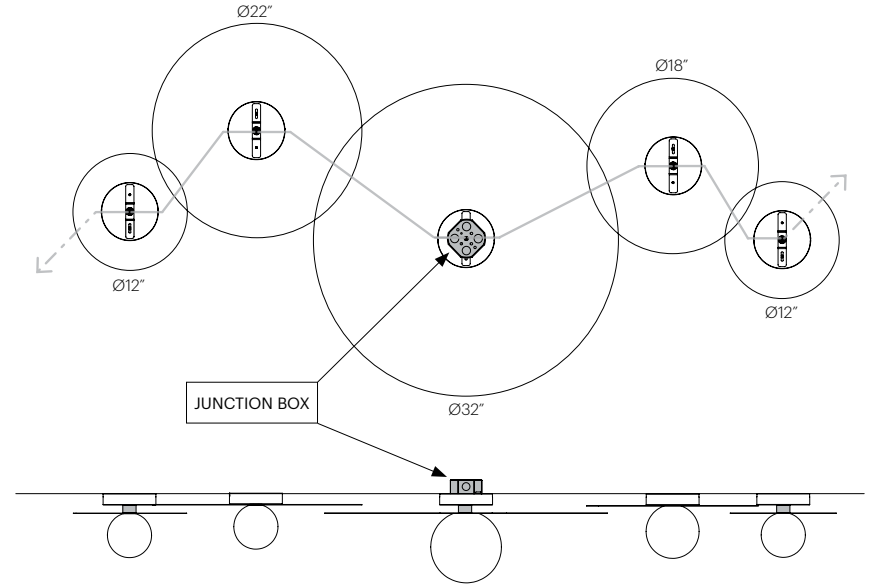
SPACING CHART FOR OVERLAPPING CONFIGURATIONS.

| DISC SPACING CENTER TO CENTER | | A FRONT DISC | | | |
|----------------------------------|--------------------|---------------------|--------------------|--------------------|--------------------|
| | | BOLA DISC FLUSH 12 | BOLA DISC FLUSH 18 | BOLA DISC FLUSH 22 | BOLA DISC FLUSH 32 |
| B BACK DISC | BOLA DISC FLUSH 12 | 10.5" 26.7 CM | 13.5" 34.3 CM | 15.5" 39.4 CM | 20.5" 52 CM |
| | BOLA DISC FLUSH 18 | 12.75" 32.4 CM | 15.75" 40 CM | 17.75" 45 CM | 22.75" 57.8 CM |
| | BOLA DISC FLUSH 22 | 14.25" 36.2 CM | 17.25" 43.8 CM | 19.25" 48.9 CM | 24.25" 61.5 CM |
| | BOLA DISC FLUSH 32 | 18" 45.7 CM | 21" 53.3 CM | 23" 58.4 CM | 28" 71.1 CM |

BOLA DISC FLUSH

BOLA DISC FLUSH CONFIGURATION SETUP

ONE JUNCTION BOX FEEDS ALL LIGHTS (UP TO CAPACITY OF YOUR JUNCTION BOX).



WIRE DRIVERS IN PARALLEL TO MAIN JUNCTION BOX VIA SUPPLIED 36" (91 CM) POWER CABLE.

NOTE: IF USING 0-10V DIMMING, WIRE PURPLE & GREY CORDS IN PARALLEL NEXT TO POWER CABLE. (EXTENSION NOT PROVIDED)

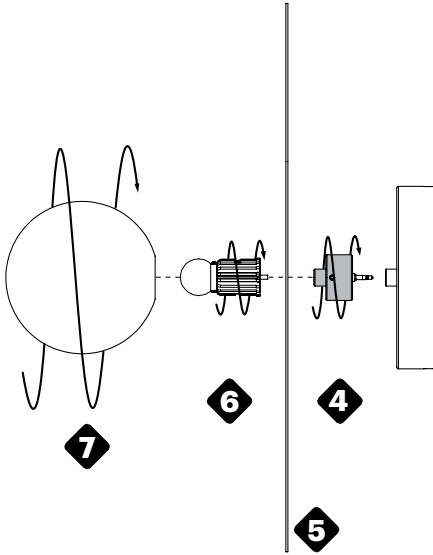
1" ADD-ON STANDOFF AVAILABLE FOR OVERLAPPING CONFIGURATIONS.

NOTE: REFER TO PREVIOUS PAGE FOR RECOMMENDED OVERLAP SPACING.

Pablo®

BOLA DISC FLUSH

BOLA DISC FLUSH CONFIGURATION SETUP



- 4 THREAD THE ADD-ON STANDOFF ONTO THE CANOPY OF THE DISC THAT YOU WANT IN FRONT.
- 5 INSTALL DISC OVER STANDOFF.
- 6 THREAD LIGHT ENGINE ONTO CANOPY FIRMLY TO SECURE DISC.
- 7 CAREFULLY THREAD GLASS GLOBE ONTO LIGHT ENGINE.

CARE INSTRUCTIONS

WIPE CLEAN WITH A SOFT DAMP CLOTH. AVOID AMMONIA-BASED CLEANERS.